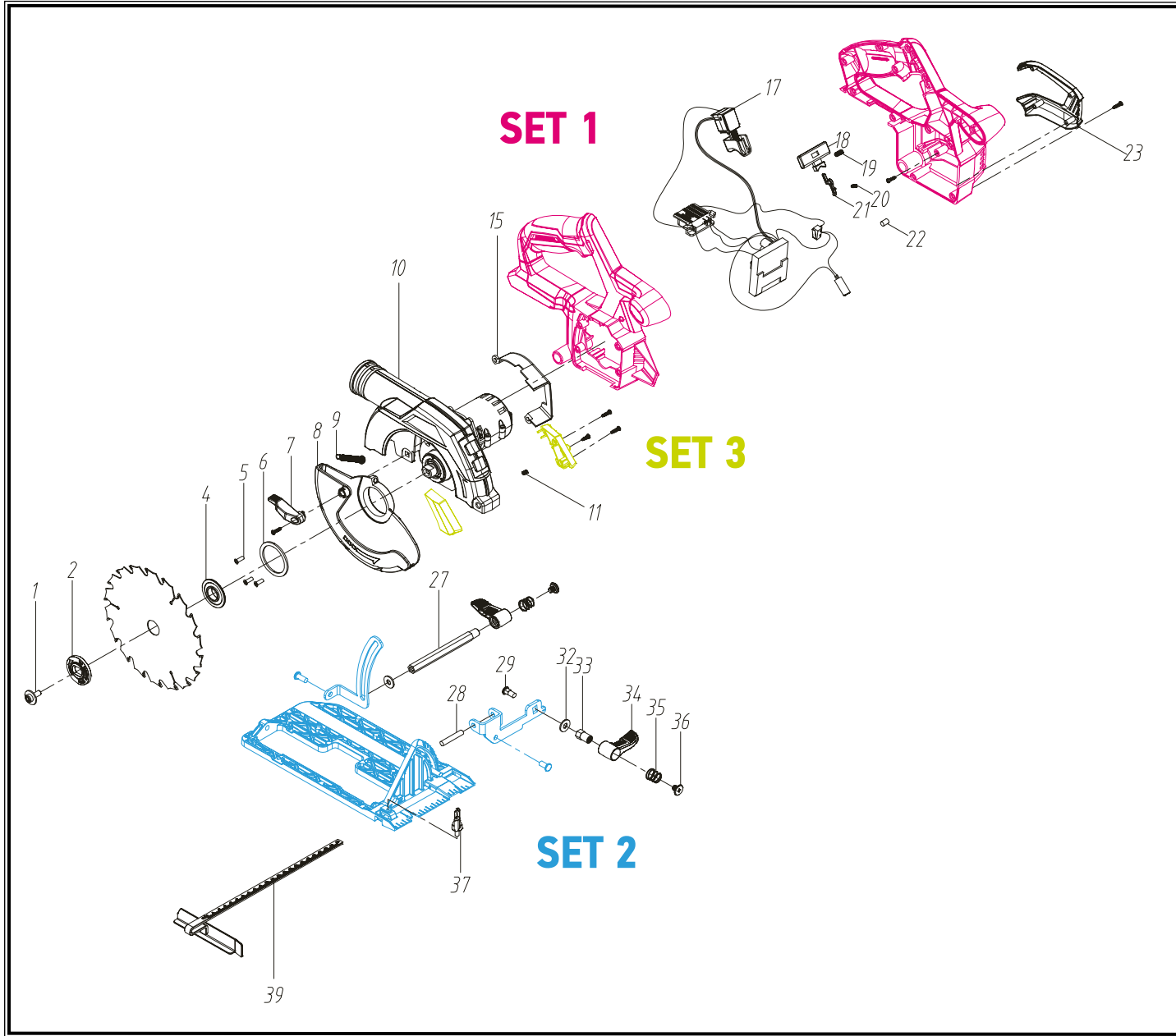


POS.	CODE	DESCRIPTION	QTY
1	A07382	DISC BOLT M6x14mm	1
2	A07383	OUTER DISC FLANGE 16x38x5,7mm	1
4	A07384	INNER DISC FLANGE 16x38x5,7mm	1
5	A07385	BOLT M3x10mm COUNTERSUNK	3
6	A07386	GUARD PRESSING PLATE 37x46x2mm	1
7	A07387	GUARD LEVER	1
8	A07388	GUARD	1
9	A07389	GUARD SPRING	1
10	A07390	GUARD HOUSING WITH GEARBOX & MOTOR	1
11	A07391	SPRING	1
15	A07395	AIR GUIDING COVER	1
17	A07397	SWITCH WITH ELECTRONICS, BATTERY CONNECTOR & INDICATOR	1
18	A07398	TRIGGER LOCK BUTTON	1
19	A07399	SPRING	1
20	A07400	SPRING	1
21	A07401	SWITCH CONNECTOR	1
22	A07402	HOUSING ANTI-VIBRATION	1
23	A07403	MOTOR HOUSING COVER	1
27	A12216	SPACER AXLE M6x2mm	1
28	A12217	SPRING PIN 6x35mm	1
29	A12218	CARRIAGE BOLT M6x20mm	1
32	A07406	WASHER 6x12x1,5mm	2
33	A07407	LOCK NUT M6x2mm WITH 18mm GUIDE	1
34	A07408	BASE PLATE LEVER	2
35	A07409	SPRING	2



POS.	CODE	DESCRIPTION	QTY
36	A07410	BASE PLATE LEVER BOLT M6x2mm	2
37	A07411	BASE PLATE BOLT	1
39	A07412	PARALLEL GUIDE	1
SET 1	A07396	LEFT & RIGHT MOTOR HOUSINGS, SET 2PCS	1
SET 2	A07405	BASE PLATE WITH GUIDES	1
SET 3	A07392	LEFT & RIGHT INDICATOR HOUSINGS, SET 2PCS	1